



DOWSIL™ 791T Weatherproofing Sealant Transparent

One-part silicone sealant

Features & Benefits

- Will accommodate up to 50% joint movement.
- Excellent unprimed adhesion to a wide variety of construction materials such as concrete, stone, masonry, brick, wood, steel, glass, glazed surfaces, painted or varnished wood and ceramics.
- Ideal sealant for expansion, connection and other movement joints as its low modulus allows high movement but generates relatively low stress at the adhesion interface.
- Conforms to ISO 11600-F&G 25LM.
- Compatible with typical PVB foils. Project-specific testing available upon request.
- Easy, conventional tooling.
- Excellent resistance to weathering.
- Good recovery after extension and compression.
- High resistance to ozone, ultraviolet radiation.
- Excellent stability through wide temperature range: -50°C to 150°C.

Applications

- DOWSIL™ 791T Weatherproofing Sealant Transparent is specifically formulated for the sealing of expansion joints in curtain walling facades, building facades and other structures. It is also suitable for the sealing of connection joints between floors and walls, stairs, and other building connections.

Typical Properties

Specification Writers: These values are not intended for use in preparing specifications.

CTM ¹	Property	Unit	Result
	Cure system		Neutral
	Application temperature	°C	+5 to +40
097B	Specific gravity	g/ml	1.03
364C	Extrusion	g/minute	100
155A	Penetration	1/10 mm	125
098	Skin-over time (23°C, 50% R.H.)	minutes	10–15
095A	Tack-free time (23°C, 50% R.H.)	minutes	15–50

1. CTM: Corporate Test Method, copies of CTMs are available on request.
The data presented have been obtained with unpigmented product.

Typical Properties (Cont.)

CTM	Property	Unit	Result
663A	Cure rate (23°C, 50% R.H.)		
	1 day	mm	3.0
	3 days	mm	4.0
2 mm thickness S2 dumb-bells (ASTM² D412)			
137A	E-modulus 100%		0.30
137A	Tensile strength		1.3
137A	Elongation at break		575
12 x 12 x 50 mm size T.A. joint (ISO³ 8339/DIN⁴ 52455-2)			
677	E-modulus 100%	MPa	0.32
677	Tensile strength		0.5
677	Elongation at break		300
677	Failure mode	% cohesive failure	100
99E	Hardness	Shore A	15
0677	Elastic recovery (ISO 7389)	%	> 90

2. ASTM: American Society for Testing and Materials.
3. ISO: International Standardization Organization.
4. DIN: Deutsche Industrie Norm.

Description

DOWSIL™ 791T Weatherproofing Sealant is a premium, one-part, easy to use, neutral curing transparent silicone sealant. It has excellent weatherability and flexibility. This low modulus silicone sealant has outstanding primerless adhesion to a wide variety of non-porous and porous substrates.

Performance related to mildew and fungus resistance has been tested in accordance with the ISO-norm 846.

Technical Specifications and Standards

- Conforms to SNJF (F&G – 25E)
- ISO 11600-F+G-25LM
- ISO 846



How to Use

Surface Preparation

Surfaces must be clean, dry and free from grease, dust and frost. Non-porous surfaces such as aluminum, glass, etc., should be cleaned with a suitable solvent for the substrate such as DOWSIL™ R-40 Universal Cleaner, isopropanol, etc. Porous surfaces such as concrete, brick, mortar, etc., should be mechanically cleaned using a steel brush, sanding disk, etc.

When using any solvent, always provide adequate ventilation. Avoid heat, sparks and open flames. Always observe and follow all precautions listed on solvent container labels.

How to Use (Cont.)

Surface Preparation (Cont.)

DOWSIL™ 791T Weatherproofing Sealant should not be applied to surfaces below 5°C or above 40°C as the adhesion of the sealant to the surface may be affected.

Masking

It is recommended that the areas adjacent to the sealant joint are masked with an appropriate tape to prevent contamination of the substrate and to ensure a neat sealant line. Masking tape should be removed immediately after tooling and before the sealant starts to form a skin.

Priming

DOWSIL™ Construction Primer P is required for porous substrates.

Back-up Materials

Closed cell polyethylene backer rods are recommended as a joint back up material.

Tooling

The applied sealant should be tooled within 5 to 10 minutes of application to ensure good contact between the sealant and the substrate. Tooling of the sealant also gives a smooth professional finish.

Handling Precautions

PRODUCT SAFETY INFORMATION REQUIRED FOR SAFE USE IS NOT INCLUDED IN THIS DOCUMENT. BEFORE HANDLING, READ PRODUCT AND SAFETY DATA SHEETS AND CONTAINER LABELS FOR SAFE USE, PHYSICAL AND HEALTH HAZARD INFORMATION. THE SAFETY DATA SHEET IS AVAILABLE ON THE DOW WEBSITE AT DOW.COM, OR FROM YOUR DOW SALES APPLICATION ENGINEER, OR DISTRIBUTOR, OR BY CALLING DOW CUSTOMER SERVICE.

Usable Life and Storage

When stored in cool, dry conditions below 30°C in the original unopened containers, DOWSIL™ 791T Weatherproofing Sealant has a usable life of 12 months from the date of production.

Packaging Information

DOWSIL™ 791T Weatherproofing Sealant is available in 310 ml cartridges (12 per box).

Limitations

DOWSIL™ 791T Weatherproofing Sealant should not be used against substrates that bleed oils, plasticizers or solvents. It is not recommended for use against certain plastics, generally of the flexible, plasticized type.

In situations where bleeding or staining is a risk, please contact us for technical assistance. DOWSIL™ 791T Weatherproofing Sealant has been generally tested for compatibility with some typical PVB foils. However, project-specific testing is strongly recommended with contact materials before any use.

This product is neither tested nor represented as suitable for medical or pharmaceutical uses.

Health and Environmental Information

To support customers in their product safety needs, Dow has an extensive Product Stewardship organization and a team of product safety and regulatory compliance specialists available in each area.

For further information, please see our website, dow.com, or consult your local Dow representative.

Disposal Considerations

Dispose in accordance with all local, state (provincial) and federal regulations. Empty containers may contain hazardous residues. This material and its container must be disposed in a safe and legal manner.

It is the user's responsibility to verify that treatment and disposal procedures comply with local, state (provincial) and federal regulations. Contact your Dow Technical Representative for more information.

Product Stewardship

Dow has a fundamental concern for all who make, distribute, and use its products, and for the environment in which we live. This concern is the basis for our product stewardship philosophy by which we assess the safety, health, and environmental information on our products and then take appropriate steps to protect employee and public health and our environment. The success of our product stewardship program rests with each and every individual involved with Dow products — from the initial concept and research, to manufacture, use, sale, disposal, and recycle of each product.

Customer Notice

Dow strongly encourages its customers to review both their manufacturing processes and their applications of Dow products from the standpoint of human health and environmental quality to ensure that Dow products are not used in ways for which they are not intended or tested. Dow personnel are available to answer your questions and to provide reasonable technical support. Dow product literature, including safety data sheets, should be consulted prior to use of Dow products. Current safety data sheets are available from Dow.

Application examples for DOWSIL™ 791T Weatherproofing Sealant Transparent.

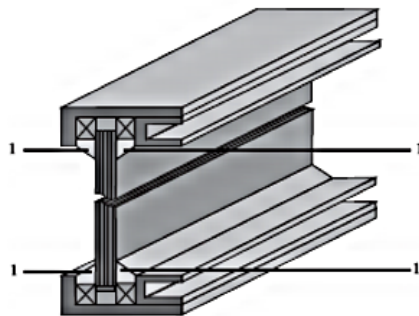


Figure 1: Sloped roof glazing with butt joint, mechanically held on 2 sides.

Designs possible with single or insulated units as shown, in sloped or vertical configurations. (Unit dimensions and glass thickness should be designed to limit deflections to comply with prevailing standards or design limits).

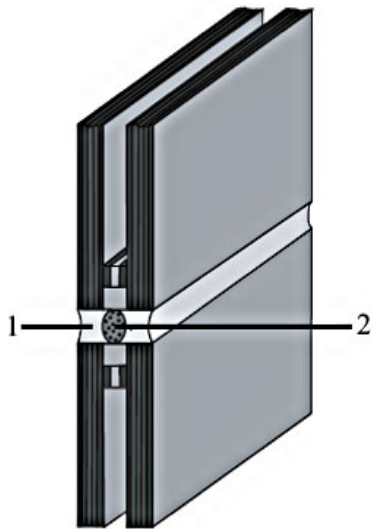


Figure 2

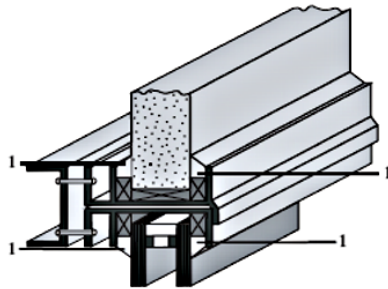


Figure 3: Design incorporating granite or reconstituted stone panels.

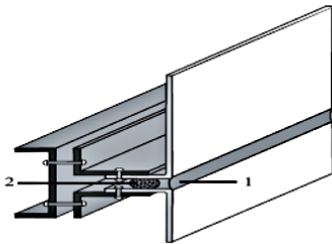


Figure 4: Design incorporating metallic panels.

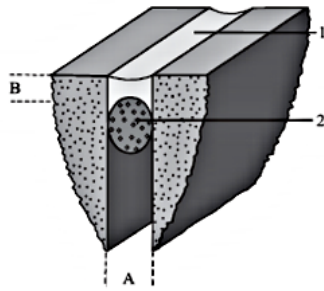


Figure 5: Recommended design for moving joints. Ratio of A:B should be 2:1.

Legend

- 1. DOWSIL™ 791T Weatherproofing Sealant Transparent
- 2. Backer rod
 - A. Joint sealant width
 - B. Joint sealant depth

dow.com

NOTICE: No freedom from infringement of any patent owned by Dow or others is to be inferred. Because use conditions and applicable laws may differ from one location to another and may change with time, Customer is responsible for determining whether products and the information in this document are appropriate for Customer's use and for ensuring that Customer's workplace and disposal practices are in compliance with applicable laws and other government enactments. The product shown in this literature may not be available for sale and/or available in all geographies where Dow is represented. The claims made may not have been approved for use in all countries. Dow assumes no obligation or liability for the information in this document. References to "Dow" or the "Company" mean the Dow legal entity selling the products to Customer unless otherwise expressly noted. NO WARRANTIES ARE GIVEN; ALL IMPLIED WARRANTIES OF MERCHANTABILITY OR FITNESS FOR A PARTICULAR PURPOSE ARE EXPRESSLY EXCLUDED.



©™ Trademark of The Dow Chemical Company ("Dow") or an affiliated company of Dow
 DOWSIL™ 791T Weatherproofing Sealant Transparent
 © 2020–2026 The Dow Chemical Company. All rights reserved.